

# GC500 Quick Installation Guide

## I. Package Contents

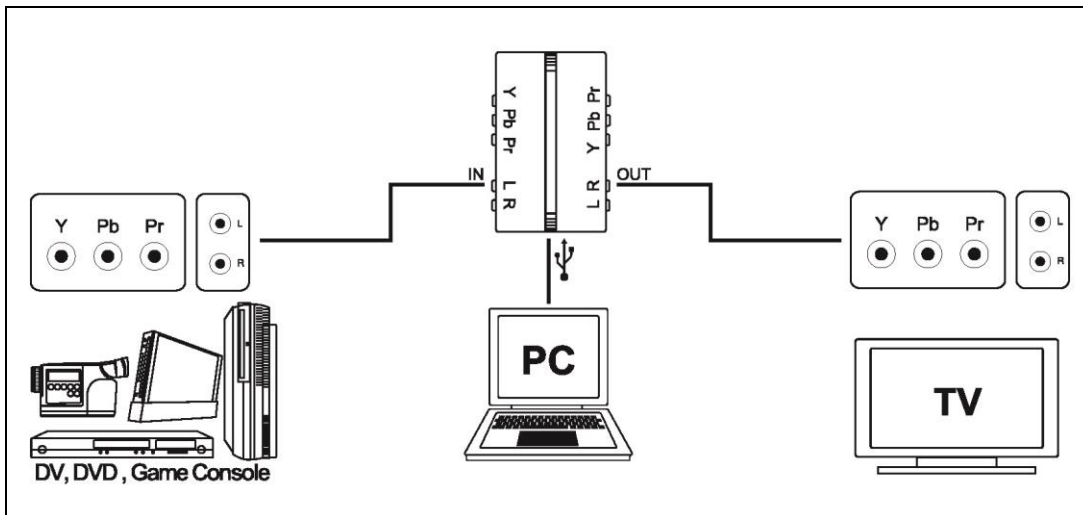
- GC500 Gaming Capture Box
- USB cable BM to AM
- Component Cable
- RCA Composite Audio Cable
- Quick start guide
- Installation CD with Driver & CyberLink Power Director 8 & Diamond Video Capture

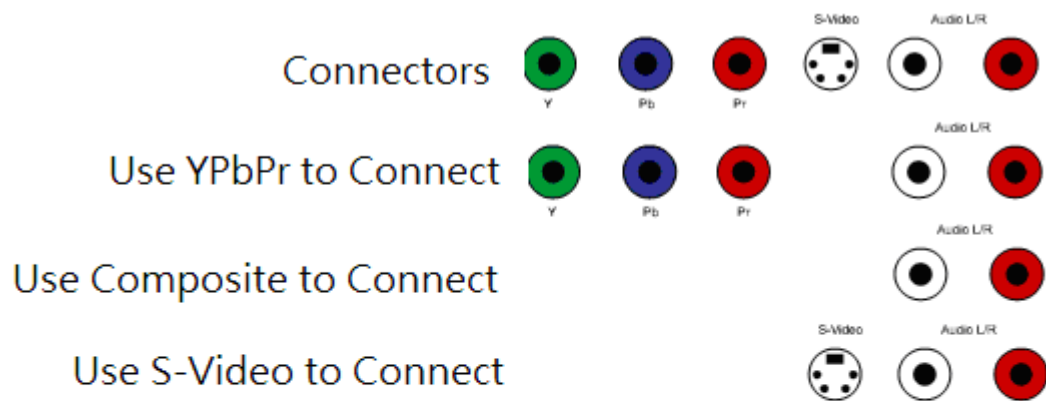
## II. System Requirements

- Pentium-IV 1.6GHz or higher (recommended) for Desktop platform
- 1024 MB RAM of system memory or above (recommended)
- One available USB2.0 port
- Graphics Card (Must support DirectX 9.0c)
- Sound Card (AC97 compatible sound card)
- 1GB Free HD Space
- CD-ROM Drive (For software installation)
- Microsoft Windows 7,8, 8.1 and 10

## III. Hardware Installation

- Connect the YPbPr / AV / S input into the input side connector.





- Connect the YpbPr / AV / S output if you want to loop through the signal back to the TV set or other display device.
- Plug the Gaming Capture Box into the USB 2.0 port of your system.

#### IV. Software Installation

- Please insert the software Package DVD into your DVD-ROM Drive.
- The auto installation wizard will launch.
- Please click Driver Installation and follow the on screen instruction to complete the installation procedure.